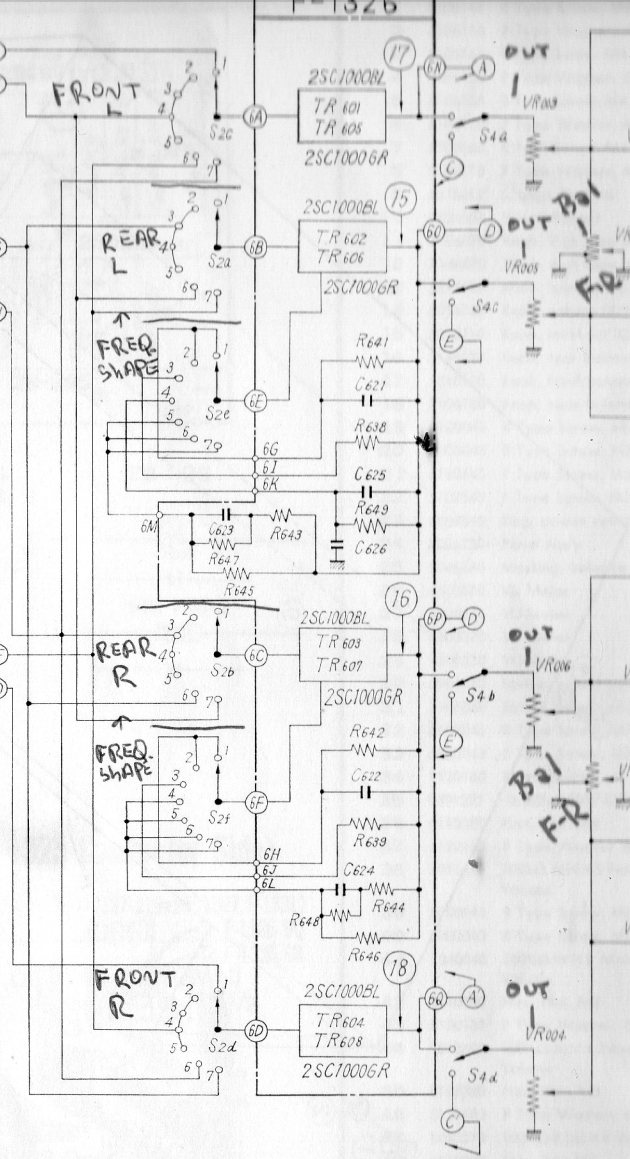
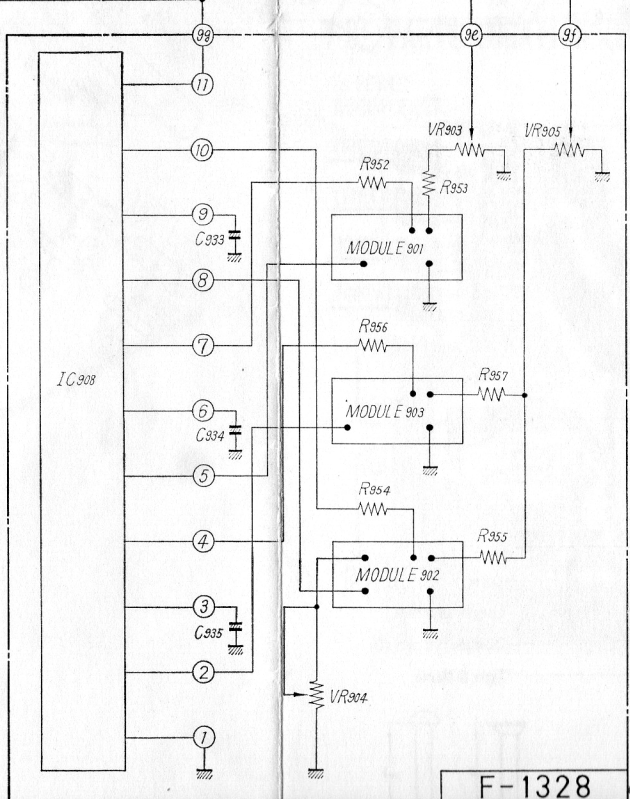
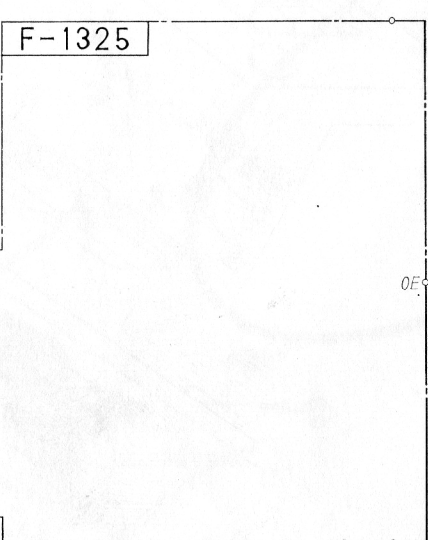
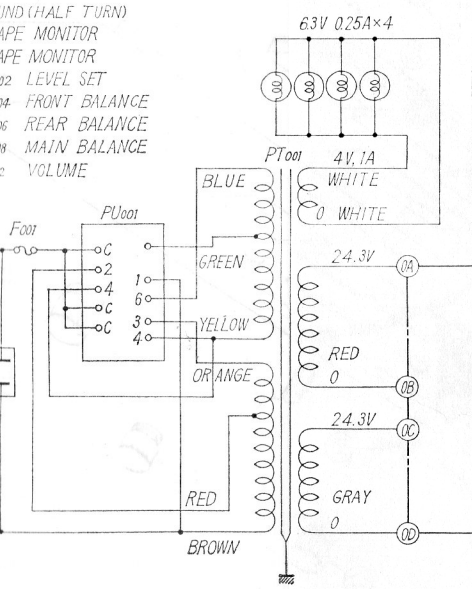


- ION DIRECT
- RT HALL I
- RT HALL II
- UND (NORMAL)
- UND (QUARTER TURN)
- UND (HALF TURN)
- PE MONITOR
- PE MONITOR
- 2 LEVEL SET
- 4 FRONT BALANCE
- 6 REAR BALANCE
- 8 MAIN BALANCE
- 2 VOLUME



NO Freq. shaping
on Front channels
(RT)

Rear Output is Mixed
180°(max) out of phase to
Front Decoded output (Fr)
To null the rear channel
content.