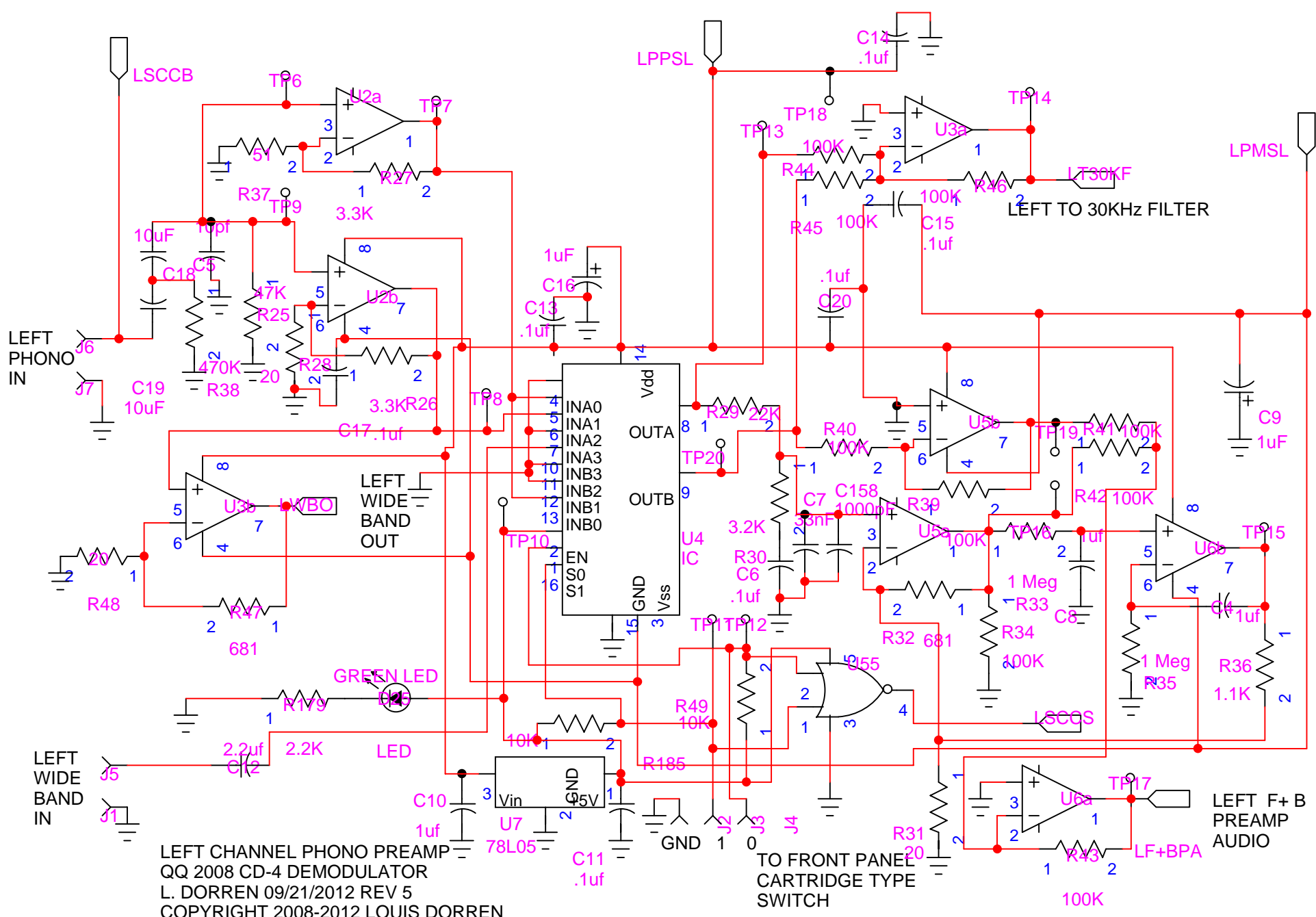


LEFT CHANNEL PHONO PREAMP
 POWER SUPPLY
 QQ 2008 CD-4 DEMODULATOR
 L. DORREN 09/21/2012 REV 5
 COPYRIGHT 2008 2012 LOUIS DORREN
 PAGE 1



LEFT CHANNEL PHONO PREAMP
 QQ 2008 CD-4 DEMODULATOR
 L. DORREN 09/21/2012 REV 5
 COPYRIGHT 2008-2012 LOUIS DORREN
 PAGE 2

TO FRONT PANEL
 CARTRIDGE TYPE
 SWITCH

LEFT F+ B
 PREAMP
 AUDIO

LEFT TO 30KHz FILTER

LEFT WIDE
 BAND
 OUT

GREEN LED

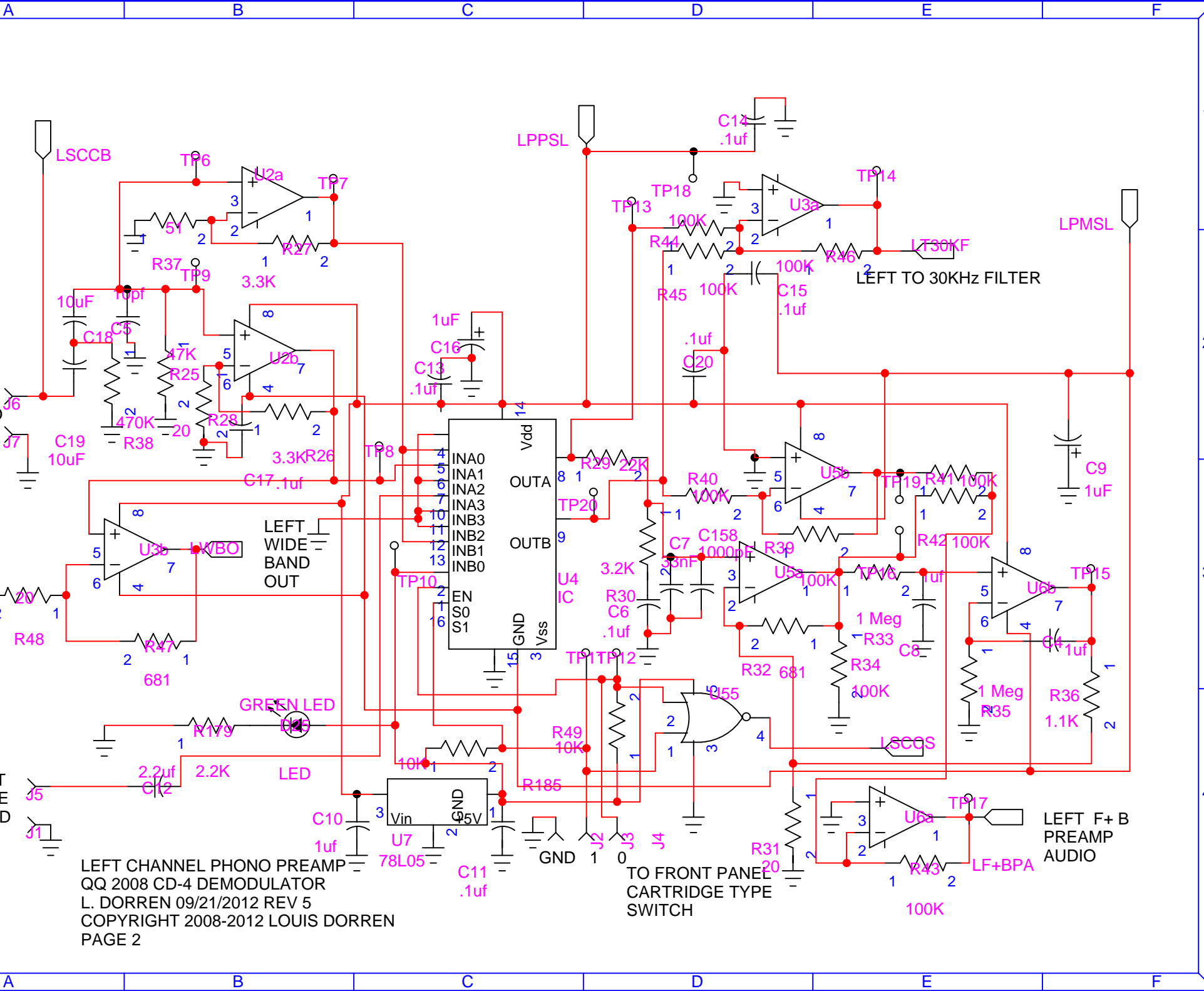
LED

LPMSL

LPPSL

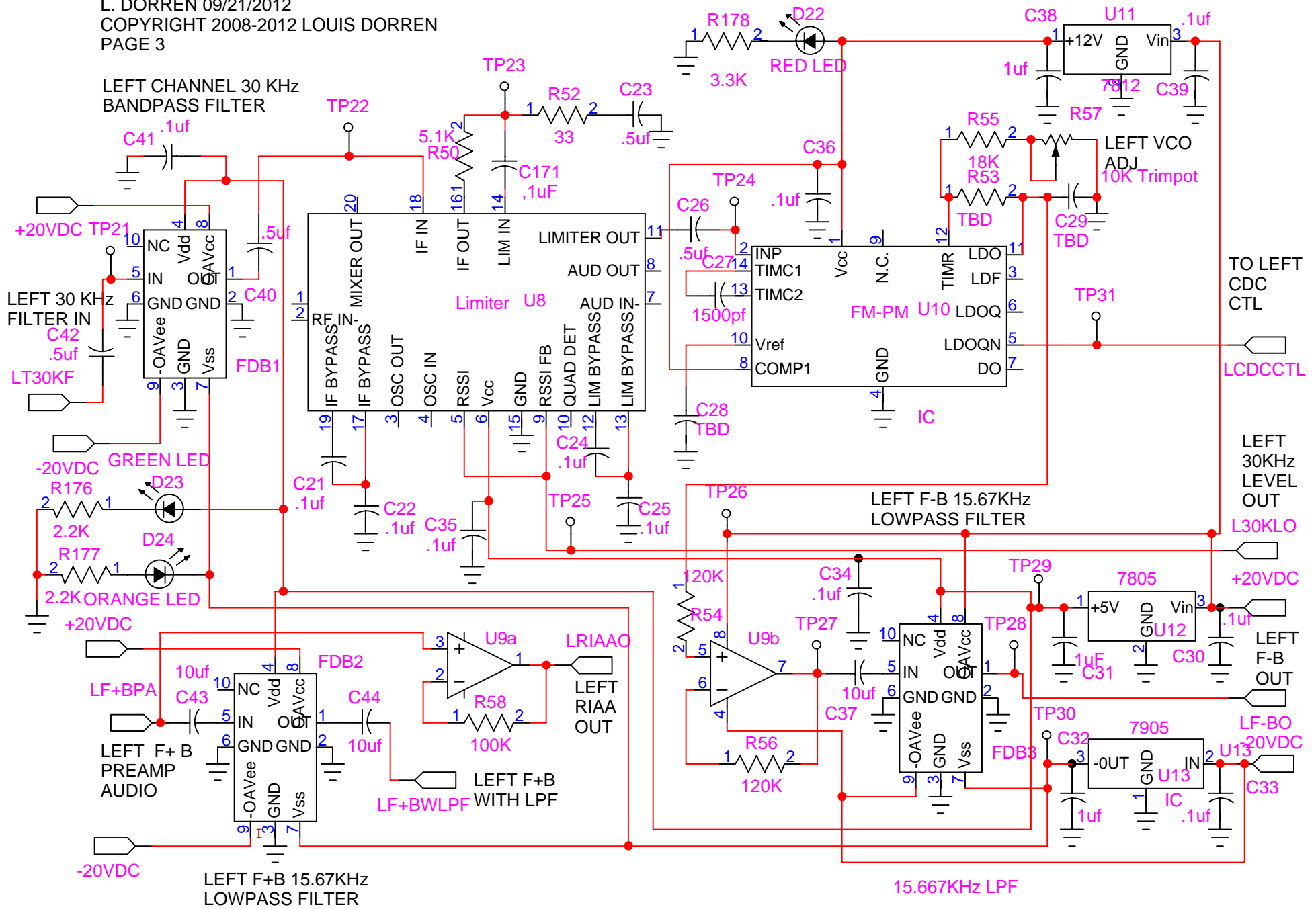
LSCCB

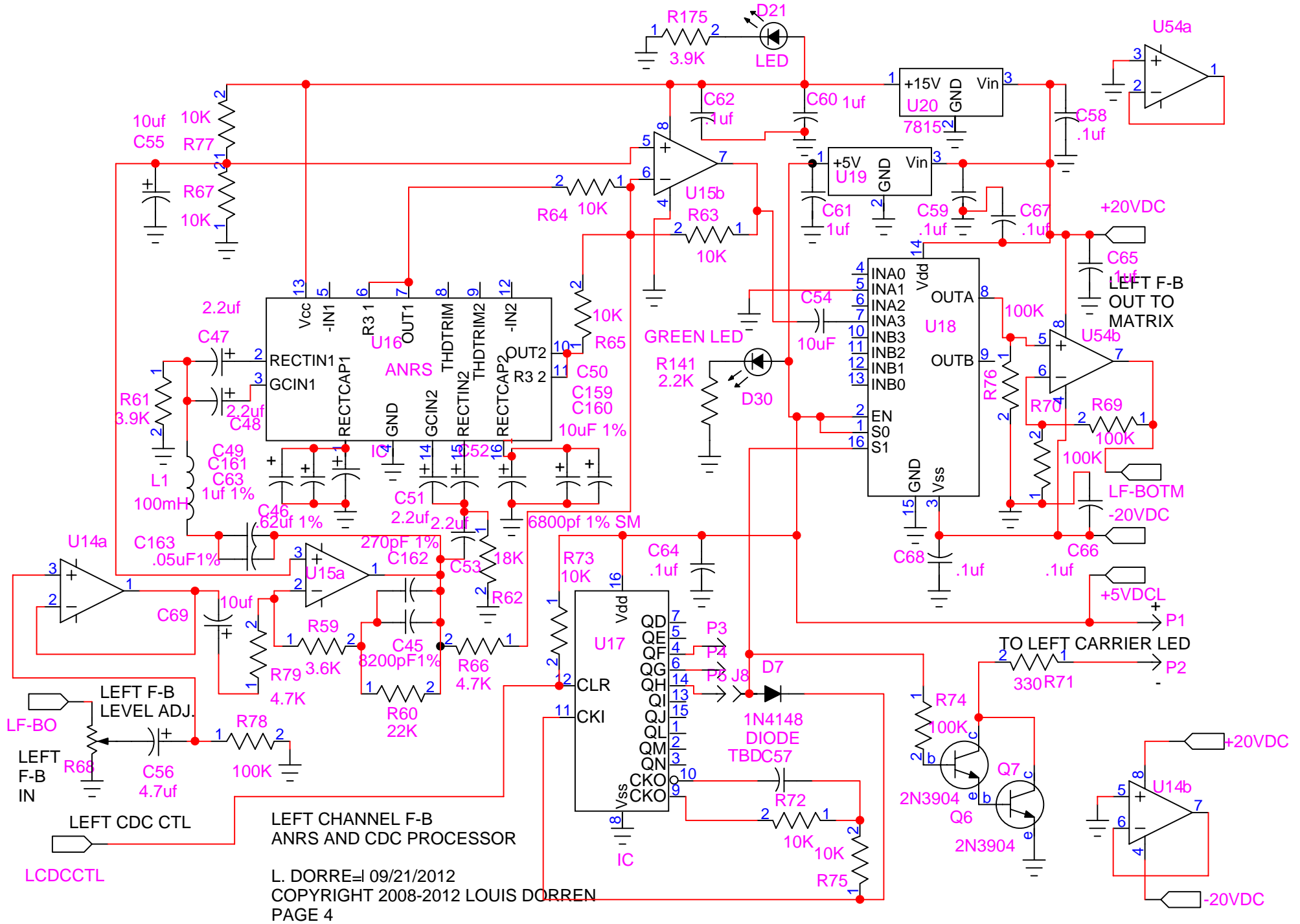
LSCCS



LEFT CHANNEL F-B
 FM-PM-FM PROCESSOR REV 5
 AND F+B 15KHz LPF
 L. DORREN 09/21/2012
 COPYRIGHT 2008-2012 LOUIS DORREN
 PAGE 3

LEFT CHANNEL 30 KHz
 BANDPASS FILTER





L. DORRE= 09/21/2012
 COPYRIGHT 2008-2012 LOUIS DORREN
 PAGE 4

LEFT F-B IN
 LEFT F-B LEVEL ADJ.
 LEFT CDC CTL
 LCDCCTL

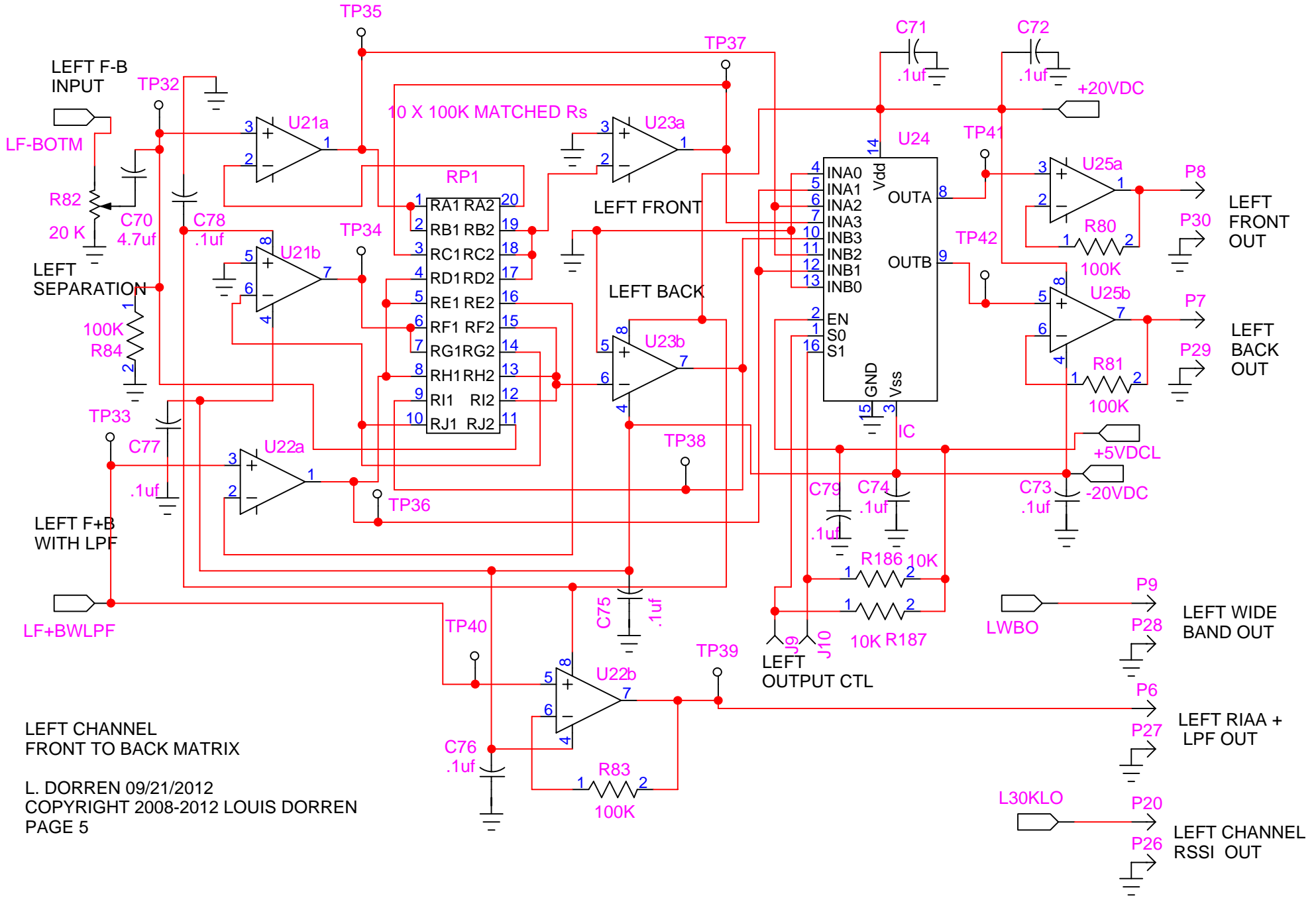
LEFT CHANNEL F-B
 ANRS AND CDC PROCESSOR

LEFT F-B
 OUT TO
 MATRIX

LF-BOTM
 -20VDC

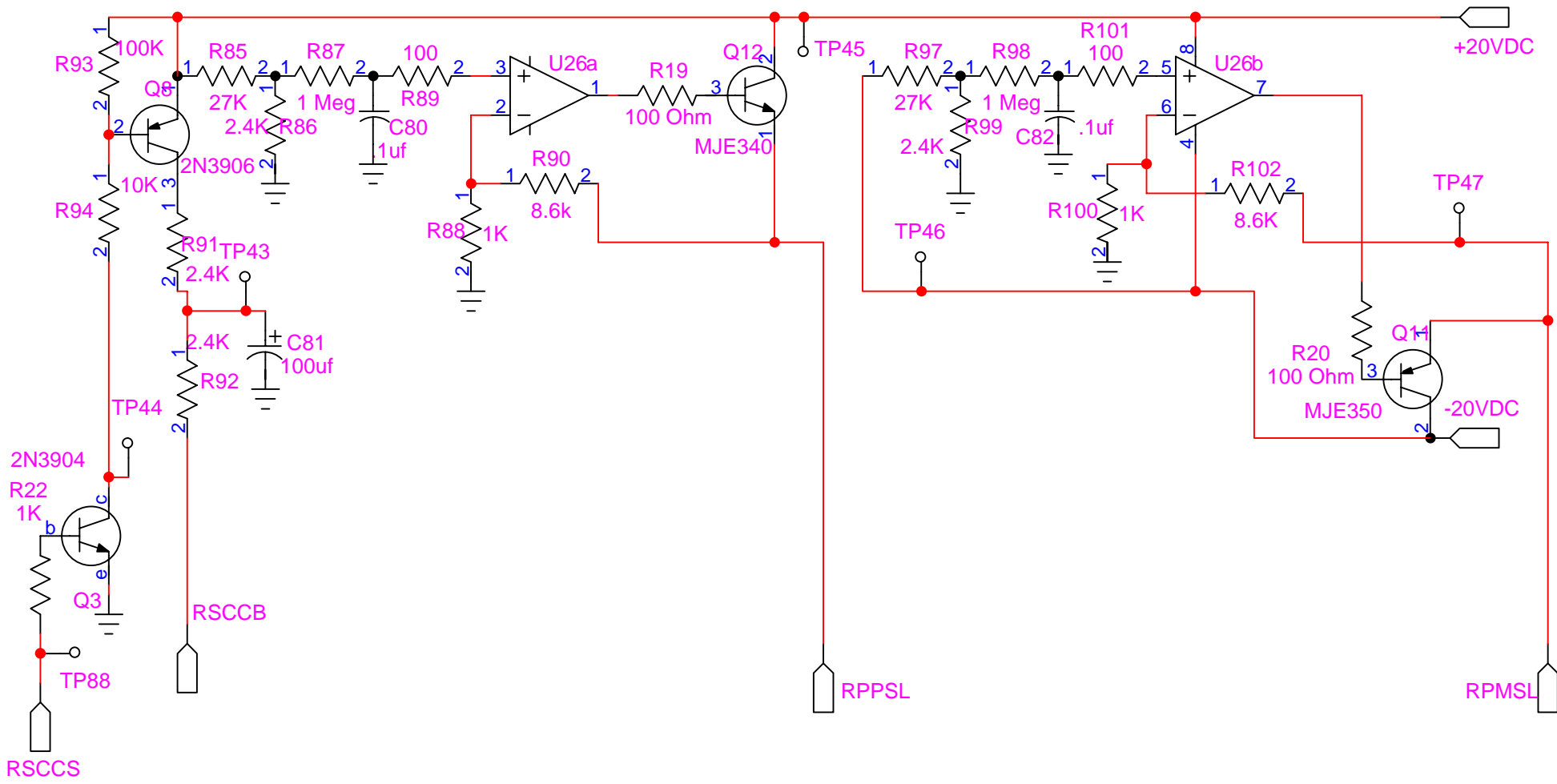
TO LEFT CARRIER LED
 P1
 P2

+20VDC
 U14b
 -20VDC

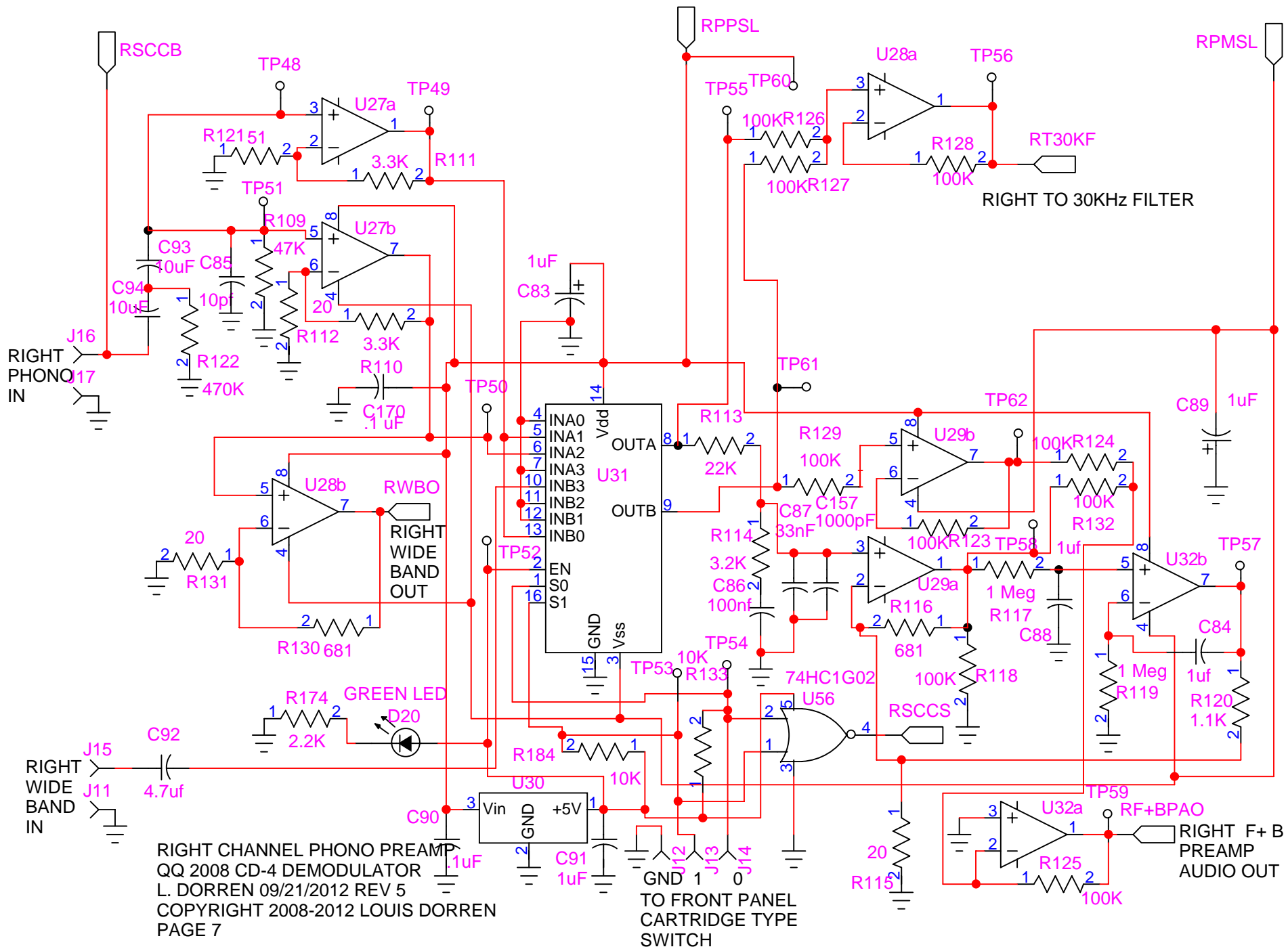


LEFT CHANNEL
FRONT TO BACK MATRIX

L. DORREN 09/21/2012
COPYRIGHT 2008-2012 LOUIS DORREN
PAGE 5

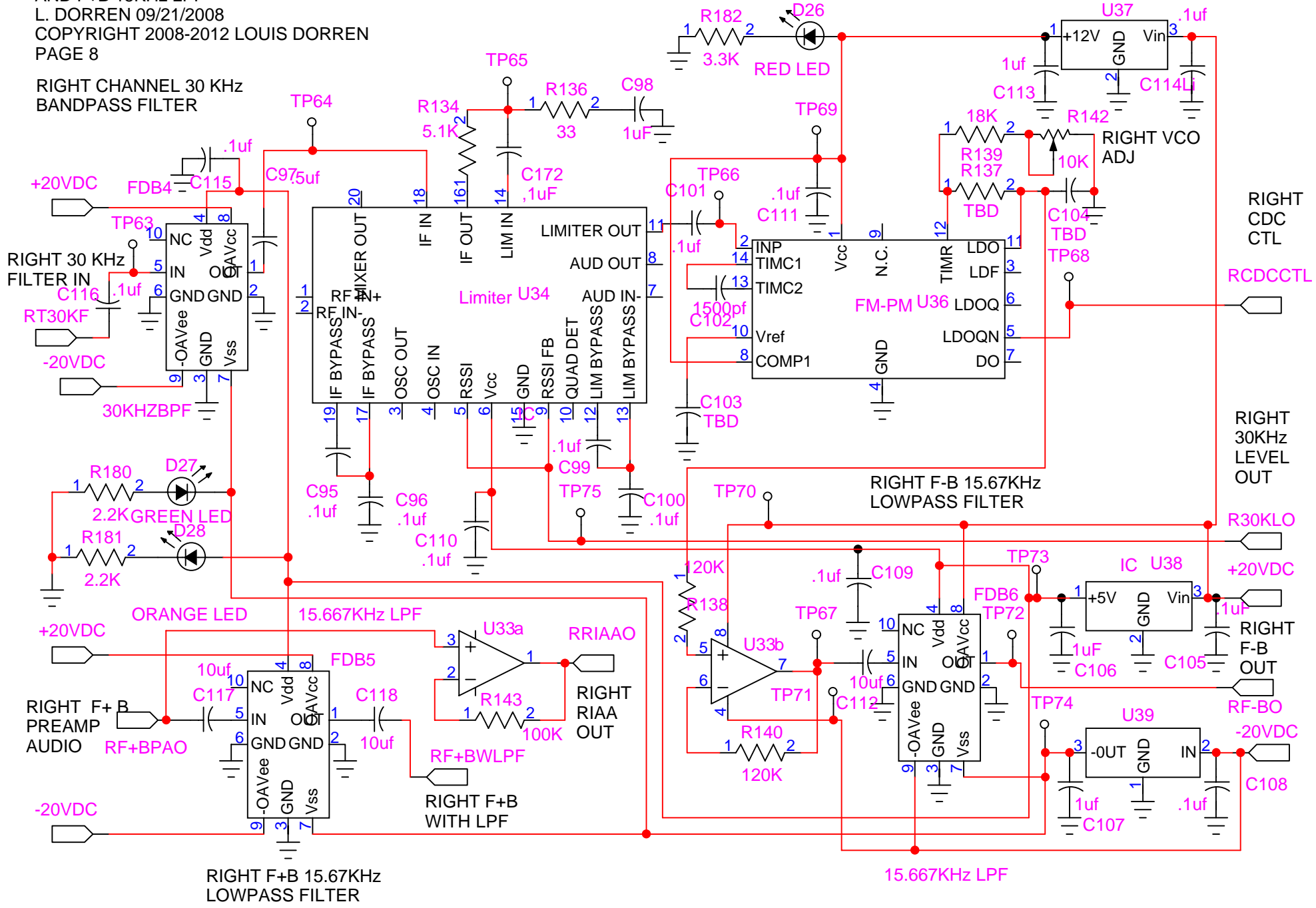


RIGHT CHANNEL PHONO PREAMP
 POWER SUPPLY
 QQ 2008 CD-4 DEMODULATOR
 L. DORREN 09/21/2012
 COPYRIGHT 2008-2012 LOUIS DORREN
 PAGE 6



RIGHT CHANNEL F-B
 FM-PM-FM PROCESSOR REV 5
 AND F+B 15KHz LPF
 L. DORREN 09/21/2008
 COPYRIGHT 2008-2012 LOUIS DORREN
 PAGE 8

RIGHT CHANNEL 30 KHz
 BANDPASS FILTER



RIGHT
 CDC
 CTL

RIGHT
 30KHz
 LEVEL
 OUT

R30KLO

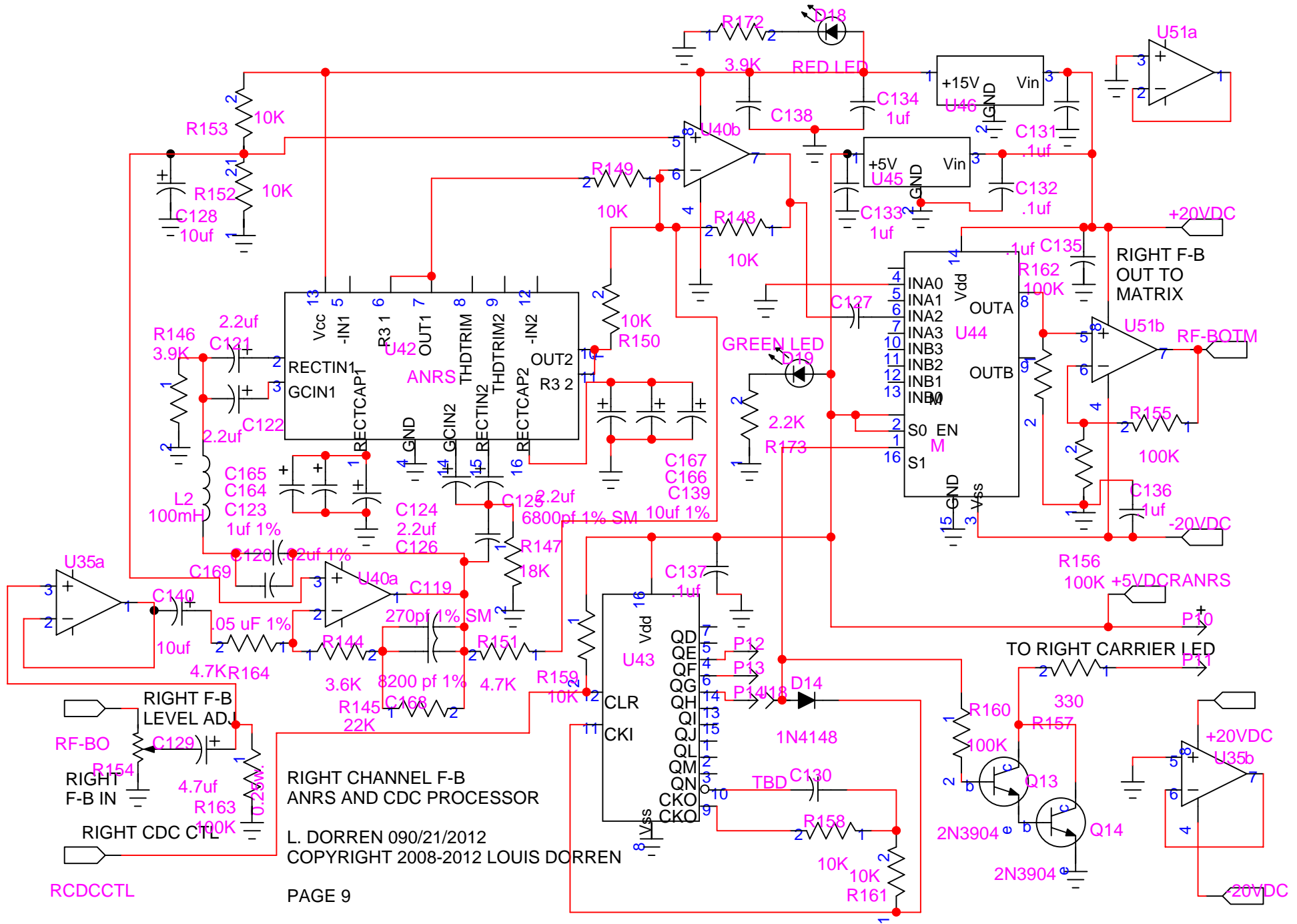
+20VDC

RIGHT
 F-B
 OUT

RF-BO

-20VDC

C108



RIGHT CHANNEL F-B ANRS AND CDC PROCESSOR

L. DORREN 090/21/2012
 COPYRIGHT 2008-2012 LOUIS DORREN

RDCDCTL

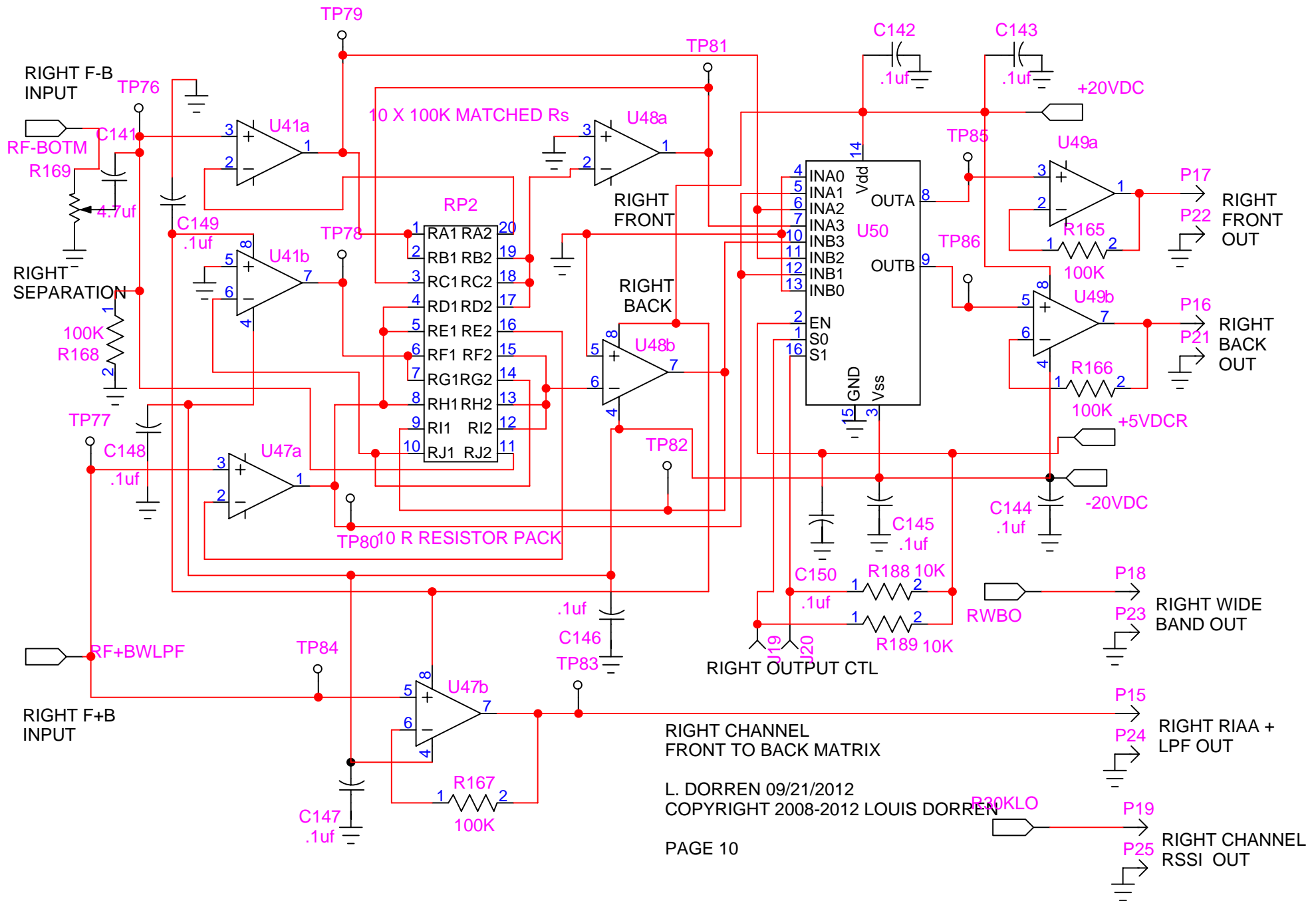
RIGHT F-B LEVEL ADJ.
 RF-BO
 RIGHT F-B IN
 RIGHT CDC CTL

TO RIGHT CARRIER LED
 P10
 P11
 +20VDC
 U35b
 20VDC

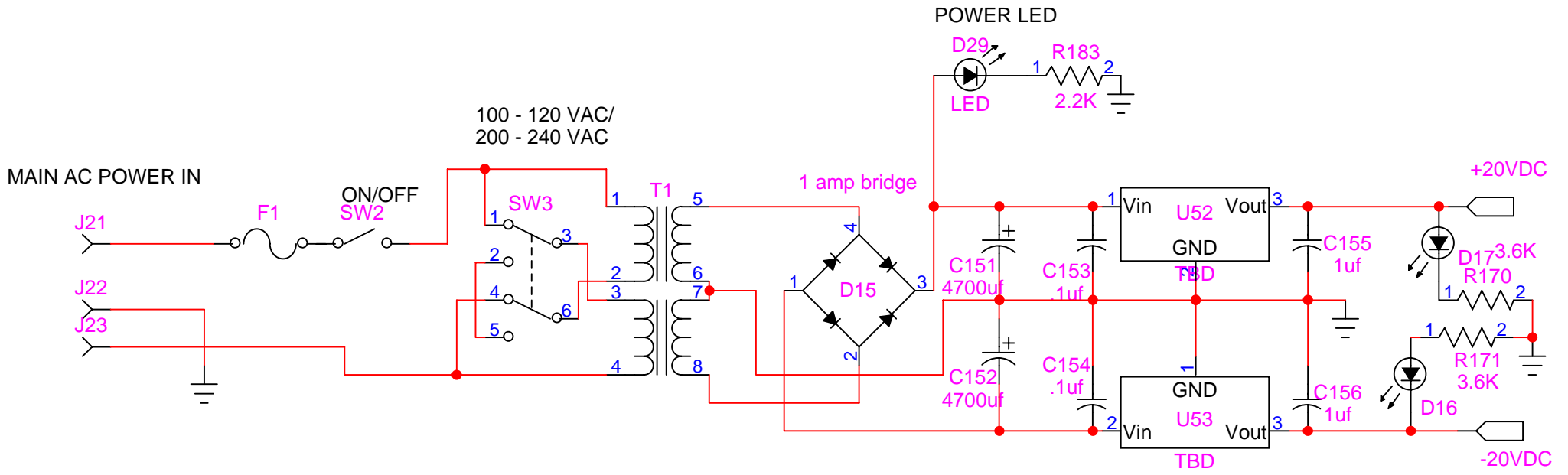
RIGHT F-B
 OUT TO
 MATRIX
 U51b
 RF-BOTM

GREEN LED
 D19

RED LED
 D18



L. DORREN 09/21/2012
 COPYRIGHT 2008-2012 LOUIS DORREN



SYSTEM POWER SUPPLY
 QQ 2008 CD-4 DEMODULATOR
 L. DORREN 09/21/2012
 COPYRIGHT 2008-2012 LOUIS DORREN