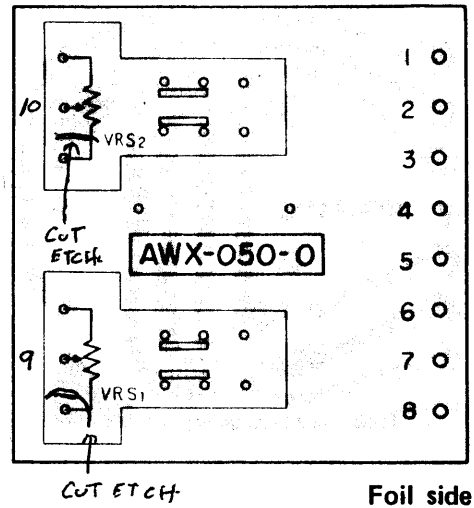
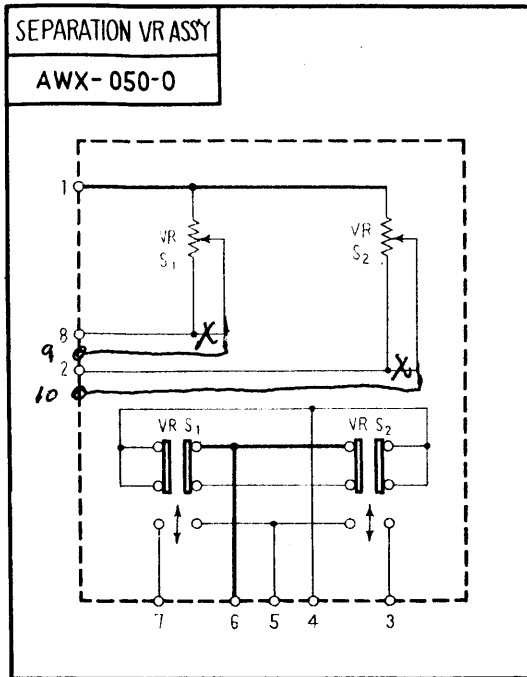


# 11.4 SEPARATION VR ASSEMBLY (AWX-050-0)



## POTENTIOMETERS

Symbol	Description	Part No.
VRS1	Volume (separation) 10k-C	ACT-503-A
VRS2	Volume (separation) 10k-C	ACT-503-A