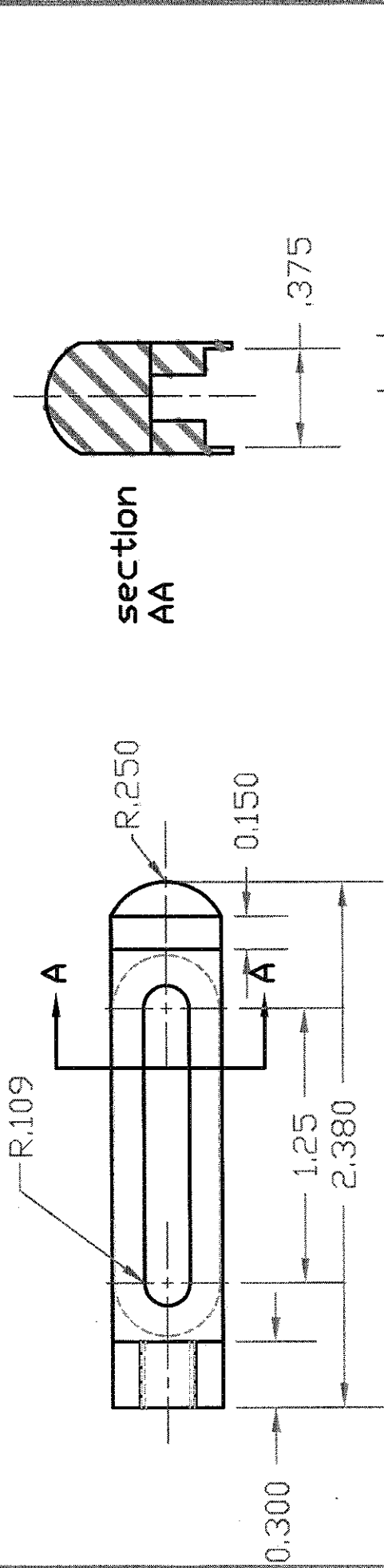
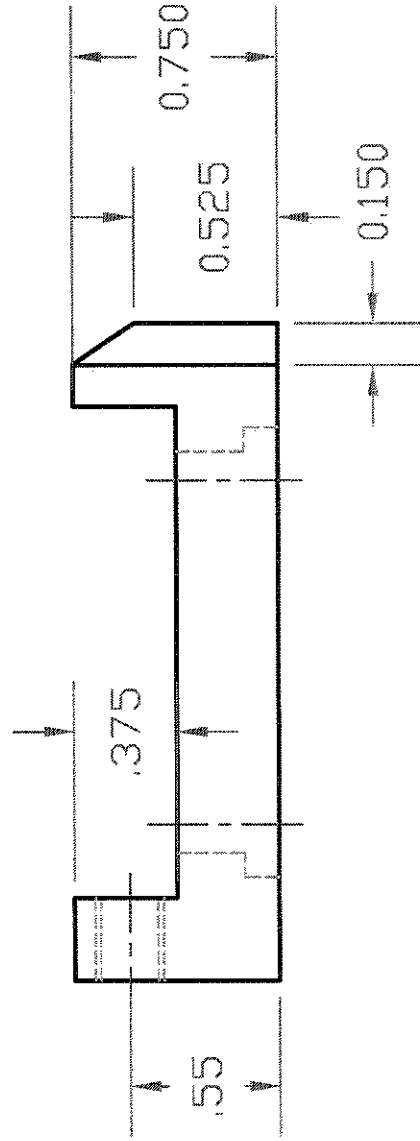
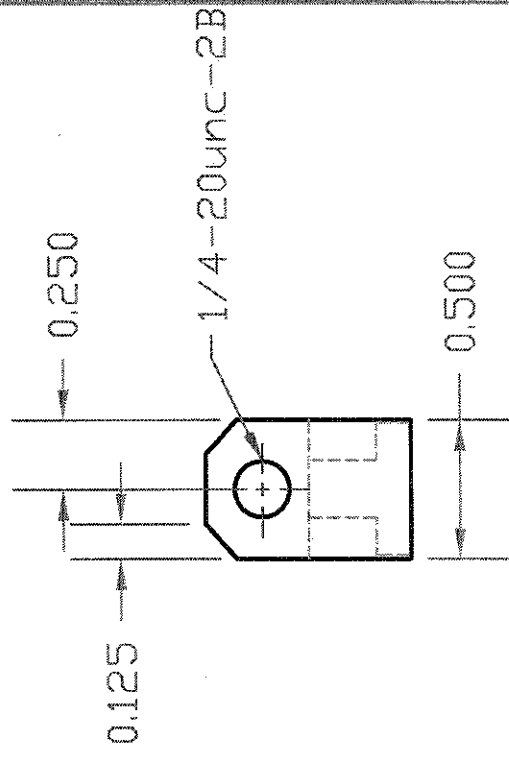


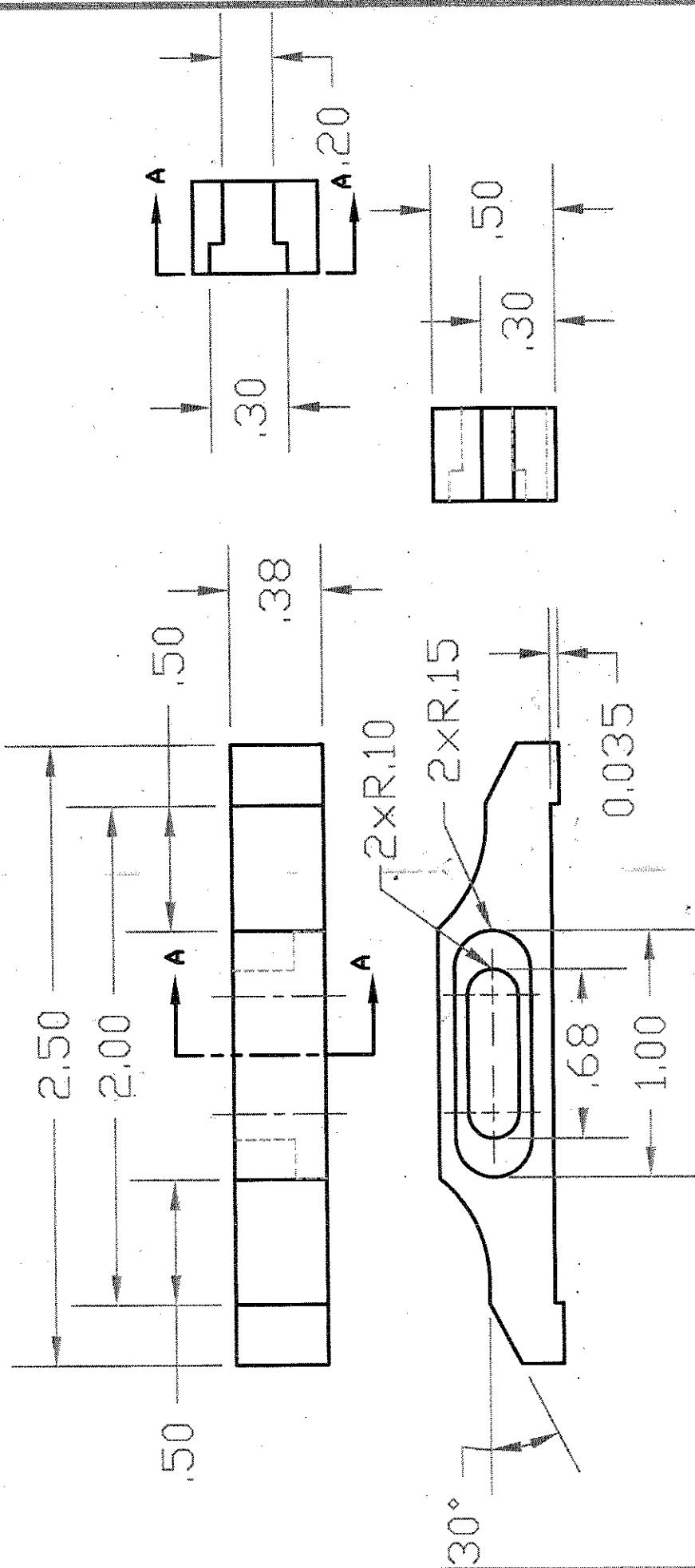
no	Part	qt	Material
1	Bolt	1	1018 CRS
2	Base	1	1018 CRS
3	Screw	1	1018 CRS
4	Anvil	1	1018 CRS

L.L. Cole S. Assembly Drawing DATE: J. L. G. G.
 L.K. BYI L.K. BYI SCALE: 1:1 J.W.G. NO:

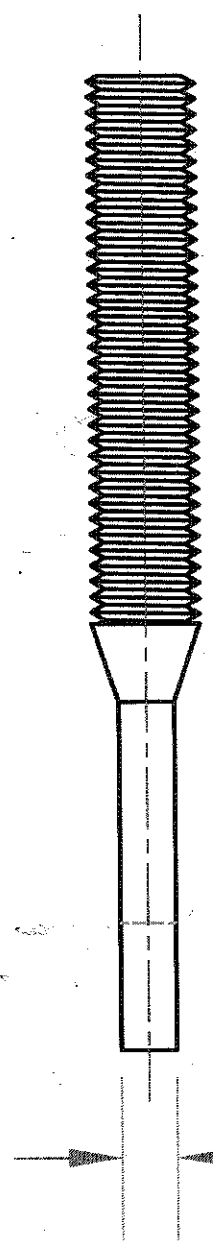
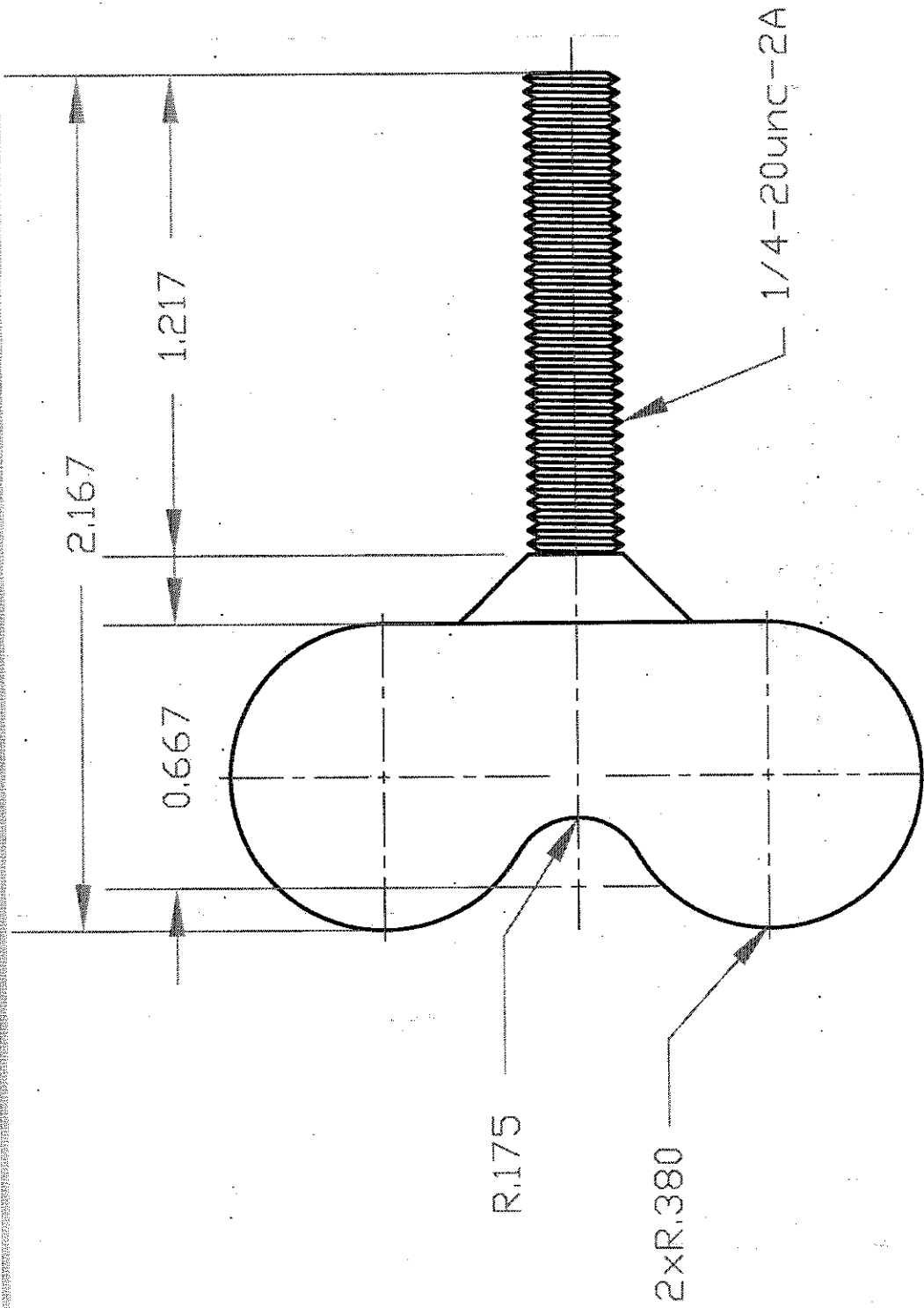


section
AA





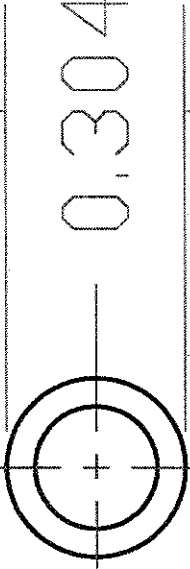
Date: _____
 Scale: _____
 Part No: _____
 Anvil
 L.K. BVI
 P.K. BVI



L.H. BY: DATE: H. LOGG
 C.H.S. BY: SCALE: J.W. NO:
 I.K. BY: Bolt Screw
 Cole S
 I.K. BY:

0.208

Shaft



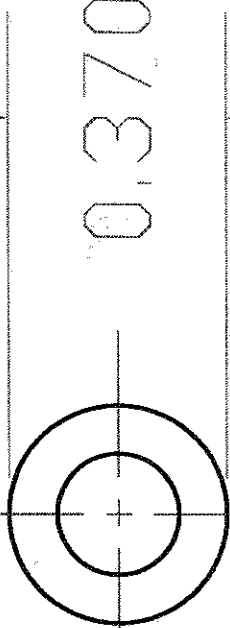
0.511

0.632

Part 1
press fits
to shaft

0.122

Part 1



0.206