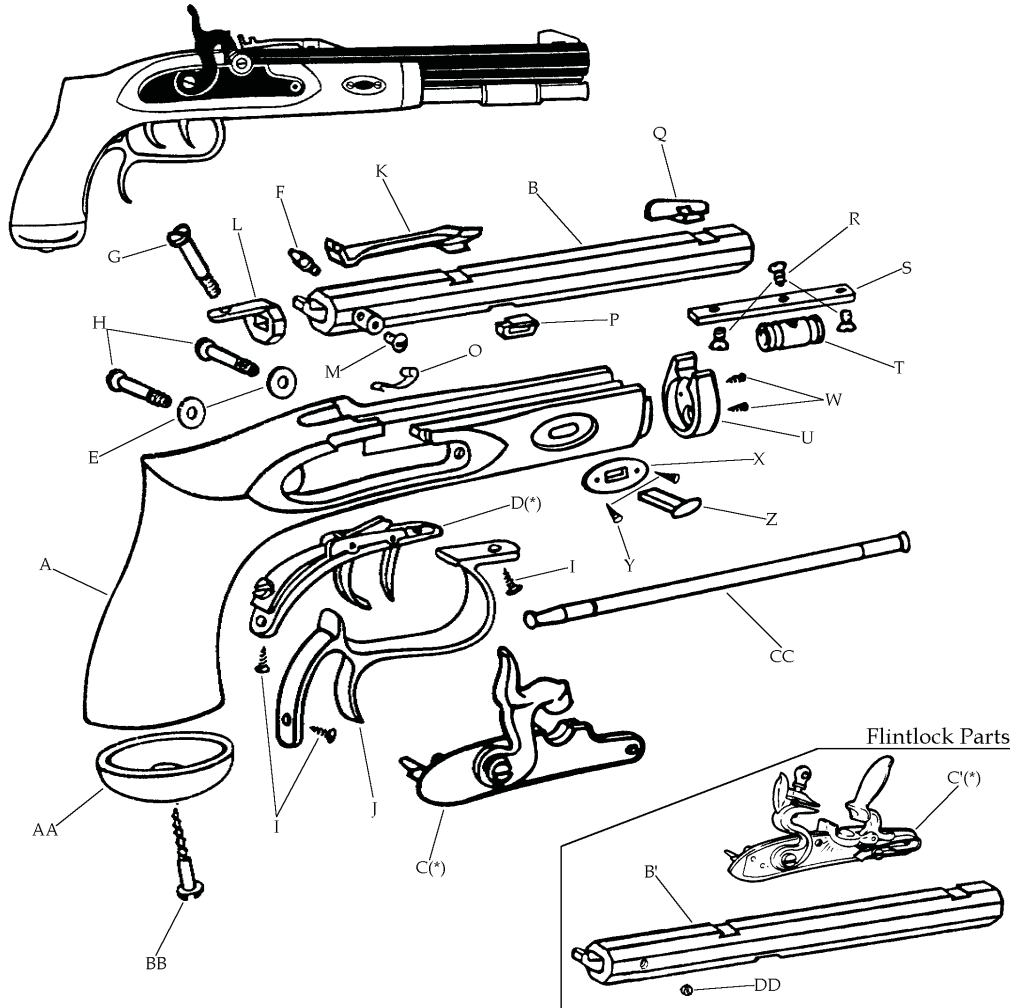


- Trapper Pistol -

Models:	Finished		Kit	
	P-1090	P-1100	KP-5090	KP-5100
	.50 cal. flint. 1-20"	.50 cal. perc. 1-20"	.50 cal. flint. 1-20"	.50 cal. perc. 1-20"
	Blued Barrel	Blued Barrel	White Barrel	White Barrel

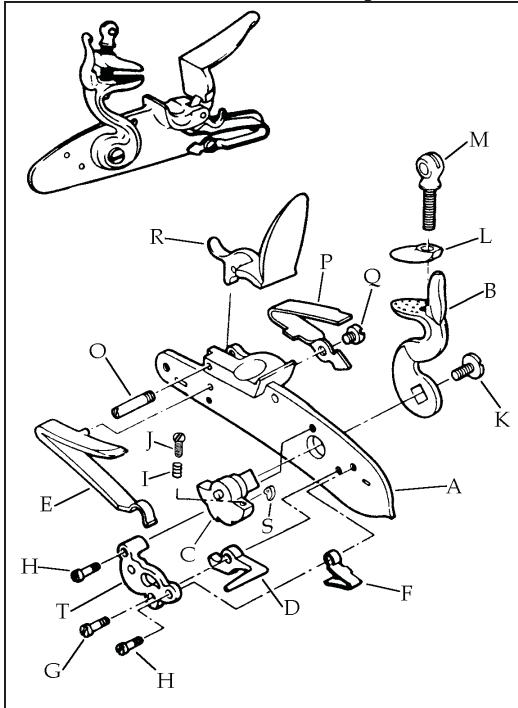


Description	Reference	Description	Reference
A Stock (Beech) (kit).....	K-11001	J Trigger Guard (Brass).....	11023
Stock Beech (Flintlock) (Finished).....	FCS10901	K Rear Sight.....	20610
Stock Beech (Percussion) (Finished).....	FCS11001	L Tang.....	20606-1
B Barrel Assembly (Kit)		M Bolster Screw Percussion Only.....	20605
.50 cal. perc. (twist 1-20").....	C-110020	O Ramrod Retaining Spring.....	20621
Barrel Assembly Blued (Finished)		P Barrel Tennon.....	20533
.50 cal. perc. (twist 1-20").....	FB112020	Q Front Sight.....	20611
B' Barrel Assembly (Kit)		R Rib & Thimble Screw (3).....	20614
.50 cal. flint. (twist 1-20").....	C-109020	S Barrel Rib.....	11012
Barrel Assembly Blued (Finished)		T Thimble.....	20613
.50 cal. flint. (twist 1-20").....	FB109020	U Nose Cap (Brass).....	11015
C Percussion Lock.....	20603	W Nose Cap Screw (2).....	20627
C' Flintlock.....	20503	X Wedge Plate (2).....	22216L
D Trigger Assembly.....	20622P	Y Wedge Plate Screw (4).....	20617
E Lock Washer (2).....	20619	Z Wedge.....	22218-2
F Nipple Percussion Only.....	20608	AA Grip Cap (Brass).....	10826
G Tang Screw.....	20209	BB Grip Cap Screw.....	10827
H Lock Screw (2).....	20220	CC Ramrod.....	11028
I Trigger Guard Screw.....	20624	DD Touch Hole Insert -Flintlock Only-.....	20534

(*) Exploded view at the reverse.

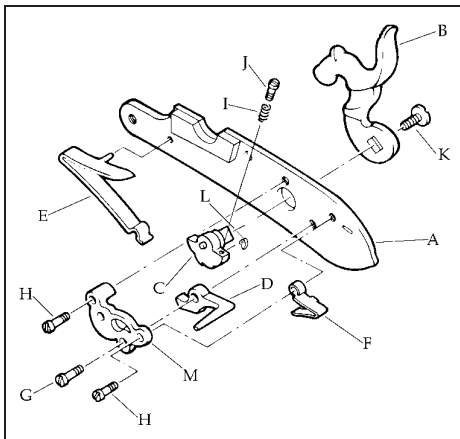
TRADITIONS™

Flintlock Assembly - Ref. 20503



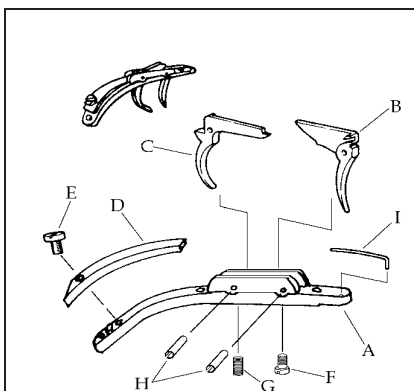
Description	Reference
A Lock Plate.....	70501-2
B Hammer.....	70502
C Tumbler.....	70603
D Sear.....	70504
E Mainspring.....	70505
F Sear Spring.....	70506
G Sear Screw.....	70514
H Sear Spring & Bridle Screw (2).....	70515
I Sear Adjusting Screw Spring.....	70520
J Sear Adjusting Screw.....	70518
K Hammer Screw.....	75512P
L Top Jaw.....	70509
M Top Jaw Screw.....	70513L
O Frizzen Screw.....	70516
P Frizzen Spring.....	70519
Q Frizzen Spring Screw.....	70517
R Frizzen.....	70507
S Fly.....	70611
T Bridle.....	70508

Percussion Lock Assembly - Ref. 20603



Description	Reference
A Lock Plate.....	70501
B Hammer.....	70602
C Tumbler.....	70603
D Sear.....	70504
E Mainspring.....	70505
F Sear Spring.....	70506
G Sear Screw.....	70514
H Sear Spring & Bridle Screw (2).....	70515
I Sear Adjusting Screw Spring.....	70520
J Sear Adjusting Screw.....	70518
K Hammer Screw.....	75512P
L Fly.....	70611
M Bridle.....	70508

Trigger Assembly - Ref. 20622P



Description	Reference
A Trigger Plate.....	60601P
B Front Trigger.....	60602
C Rear Trigger.....	60603
D Rear Spring.....	60604P
E Rear Spring Screw.....	60606
F Front Trigger Adjustment Screw.....	60607
G Rear Trigger Adjustment Screw.....	60608
H Trigger Pin (2).....	60609
I Front Spring.....	60605