

**THE DIGGIN'  
DUTCHMAN**

VERMEER TRENCHER PLOW DIVISION



# VERMEER

## M-147A TRENCHER



### SERVICE LINE INSTALLATION ... FAST, EASY, ECONOMICAL

Electrical contractors, utility companies, sprinkler contractors, and rental yards -- have you been looking at small, compact trenching units that will release your big equipment to work on the big jobs? Look no further -- Vermeer has it. The M-147A trencher -- a compact unit that makes service line installation fast, easy and above all, **ECONOMICAL**. Sporting a 14 horsepower air-cooled engine and hydrostatic drive, the Vermeer M-147A is easy to own ... operate ... and easy on the pocketbook. With the optional backfill blade and the M-147A's one-hand

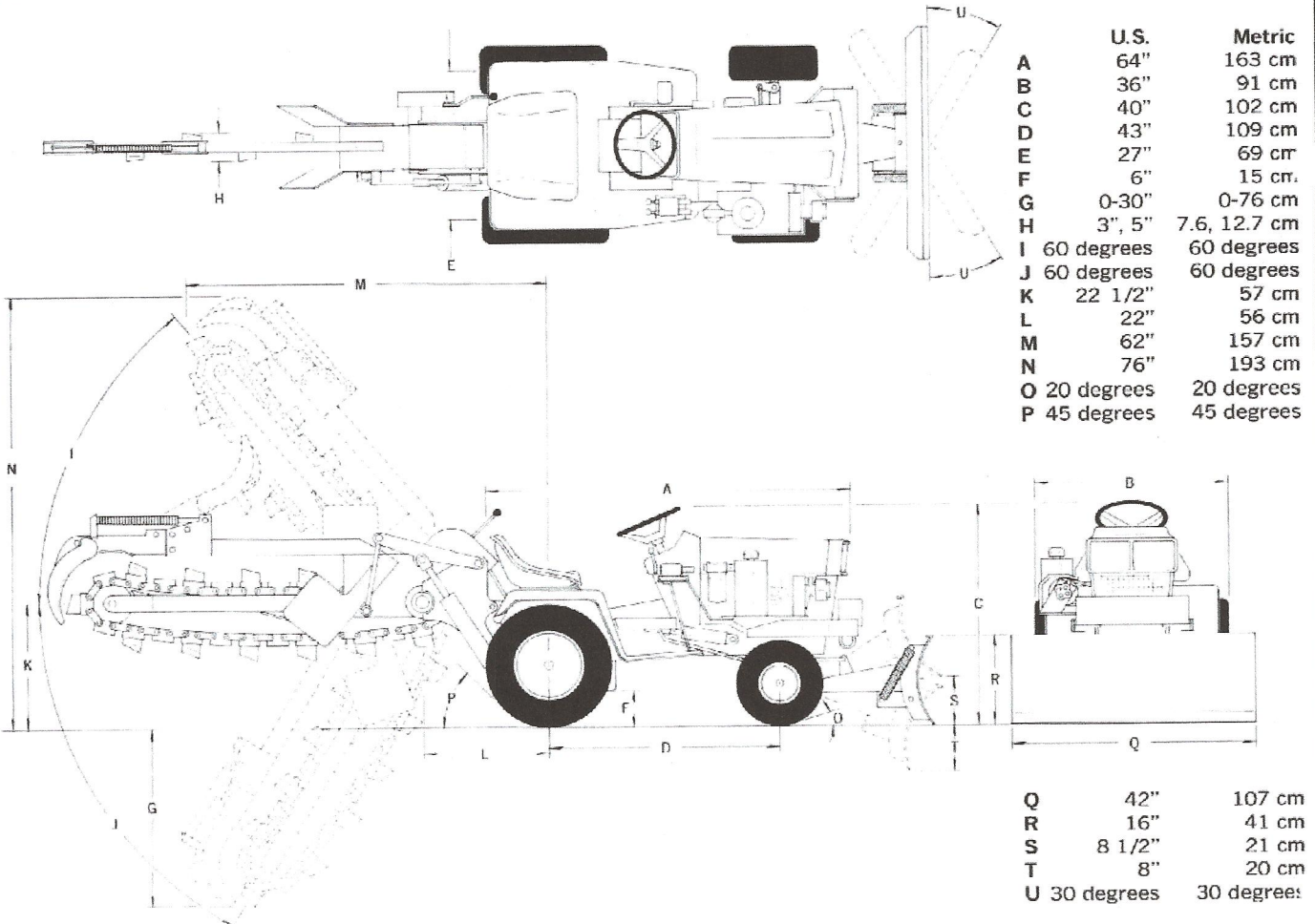
operation -- no shifting gears or clutching -- you have a machine with the versatility expected of a great service line unit. Using either the heavy-duty trencher or the high production P-10 Vibratory Plow, the key word for the M-147A is **PRODUCTION**. Production means profit and the M-147A is designed with profit in mind. Let us demonstrate the capabilities of this fine piece of equipment today so you can see what we mean when we talk about production turning into **PROFIT FOR YOU**.

Boom lift cylinder	2 1/2" x 8"	6.3 x 20.3 cm
Boom wear strip	Replaceable	
Boom idler bearings	1"	2.5 cm
Digging chain drive sprocket	Split - type, hardened	
Digging chain - size	SS 1646 M	
- pitch	2 1/2"	6.35 cm
- tensile strength	29,000 lbs.	13,000 kg
Digging chain speed (maximum)	550 fpm	168 m/min.
Digging chain tensioning	Positive, protected threaded shaft	
Cutters	Single edge, replaceable	
Crumber type	Mechanical, spring loaded	
Spoil discharge - standard	Dirt deflectors	
- optional	Augers	
Auger diameter	9"	23 cm
Auger drive	Idler driven	
Auger shaft bearings	1 1/4"	3.18 cm
Counterweight - with backfill blade	100 lbs.	45 kg
- without backfill blade	200 lbs.	90 kg

**Backfill Blade**

Weight	105 lbs.	48 kg
Lift cylinder	2" x 5"	5.1 x 12.7 cm
Angle	Manual	
Width (Q)	42"	107 cm
Height (R)	16"	41 cm
Lift height above ground (S)	8 1/2"	21 cm
Blade drop below ground (T)	8"	20 cm
Maximum angle - right and left (U)	30 degrees	30 degrees
Blade edge	Bolt-on, replaceable	

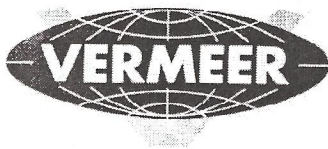
Engineering, Design, and Specifications subject to change without notice.



MANUFACTURING COMPANY

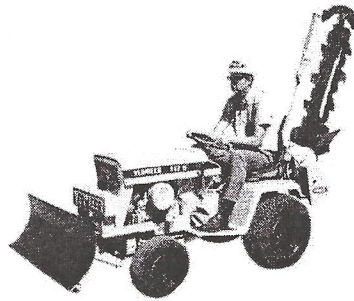
• Phone 515 / 628-3141

• Pella, Iowa 50219



# Specifications

## M-147 H



### TRACTOR

#### GENERAL

Weight (Tractor Only).....	845 lbs.
Width.....	36"
Length (Transport).....	Trencher 123"
	Plow 102"
Ground Clearance.....	6"
Height (Transport).....	Trencher 73"
	Plow 44"
Ground Speed.....	0 to 8 MPH
Tires.....	Front 16 x 6.50 x 8
	Rear 23 x 8.50 x 12

The basic Tractor is an International 147 Cub Cadet

#### ENGINE

Make.....	Kohler
Type.....	4-cycle
No. of Cylinders.....	1
Displacement.....	31.27 Cu. In.
Horse Power.....	14
RPM.....	2800
Fuel Capacity.....	Approx. 3 1/2 gallon
Cooling.....	Unrestricted Air Flow
Electric Starter With Compression Release	

#### HYDRAULIC SYSTEM

Pump.....	Webster 3 1/2 Gallon
Oil Tank Capacity.....	Approx. 2 Gallon
Valve.....	Gresen
Oil Type.....	No. 10 SAE Oil
Pressure Relief.....	1500 PSI

#### WEIGHT KIT

Mounting Bracket Weight.....	14 lbs.
Vermeer Weight.....	100 lb.
(Recommended one weight with Blade Attachment Two weights when blade is not used)	

### BLADE

#### GENERAL

Weight (Less Weight Kit).....	105 lbs.
Width.....	16"
Length.....	42"
Angle.....	30 Degrees left and right
Controls.....	Manual Angle Hydraulic Lift Bolt on Replaceable Grader Edge

### TRENCHER

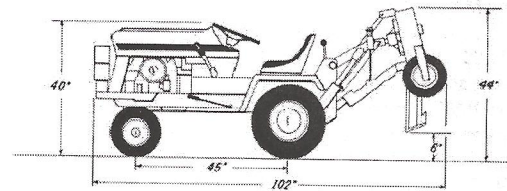
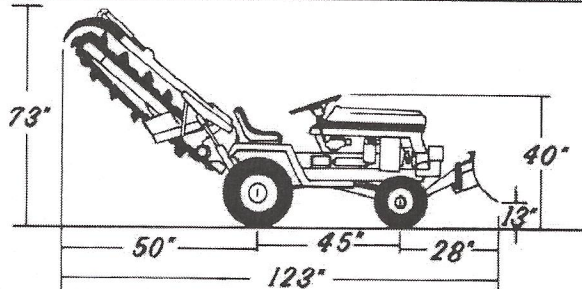
#### GENERAL

Weight.....	355 lbs.
Depth.....	30"
Width.....	3" or 5"
Crumber.....	Spring Loaded Mechanical
Cutter Chain.....	1648
Tensile Strength of Chain.....	29,000 lbs.
Drive.....	Combination Chain and Belt
Quick Release Belt Tightener With Over Center Release	
90 degrees Gear Box To Transfer Power To Drive Belts	

### P-10 PLOW

#### GENERAL

Weight.....	367 lbs.
Length (Center of Axle to Rear Plow Extremity).....	46"
Plowing Depth (Factory Recommended Maximum).....	15"
Plow Blade Width (Factory Recommended Maximum) 5/8"	
Cable Feed.....	Feed Tube With Removable Back Pull Type With Bullet and Grip
Shaker Motor RPM.....	Approx. 1450
Shaker Drive.....	PTO
Gear Box and Clutch To Transfer Power to Shaker PTO	



**VERMEER MANUFACTURING COMPANY**

**PELLA, IOWA U.S.A.**