

6-15 THROTTLE CABLE ADJUSTMENT (All Models).

6-15.1 **General.** If the engine does not achieve its high (no load) speed (see specifications in Section 1) when the throttle control is moved to the full throttle position, check the cable adjustment before performing any other engine or carburetor inspections.

6-15.2 Refer to Figure 6-4 and proceed as follows:

1. Raise the hood and locate the throttle cable connection at the engine.
2. While observing the direction of movement of the engine throttle arm, move the tractor's throttle control lever to the full throttle position.
3. Loosen the screw securing the cable clamp.
4. Push and hold the engine throttle arm fully in the direction of movement noted in step 2 above.
5. While continuing to hold the throttle arm, pull the throttle cable conduit back through the clamp (away from the arm) to remove any slack in the cable and tighten the screw securing the clamp.
6. Start the engine. Use a tachometer to check the high and low speed engine rpm to specifications (see Section 1). Refer to the appropriate Engine Service Manual if adjustment is necessary.

6-16 CHOKE CABLE ADJUSTMENT (All Models).

6-16.1 **General.** If the engine is difficult to start or runs roughly when warmed up, check the choke cable setting before performing any other engine or carburetor inspections.

6-16.2 Refer to Figure 6-4 and proceed as follows:

1. Raise the hood and locate the choke cable connection at the engine.
2. While observing the direction of movement of the engine choke arm, pull the tractor's choke handle out.
3. Loosen the screw securing the cable clamp.
4. Push and hold the engine choke arm fully in the direction of movement noted in step 2 above. If desired, the air cleaner cover and element may be removed to observe that the carburetor choke plate is closed completely.
5. While continuing to hold the choke arm, pull the choke cable conduit back through the clamp (away from the arm) to remove any slack in the cable and tighten the screw securing the clamp.

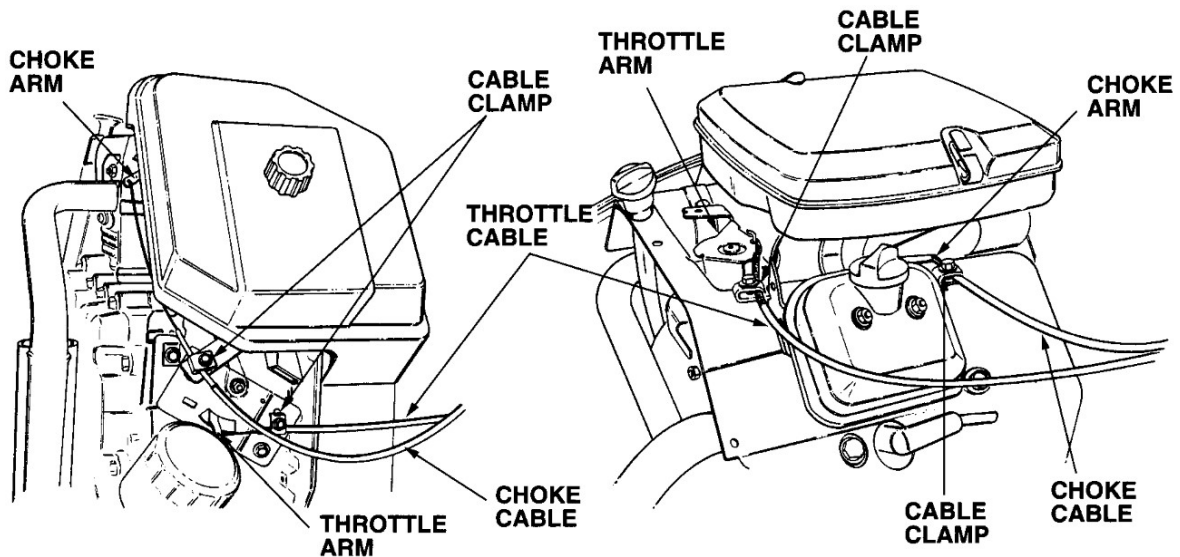


Figure 6-4. Throttle and Choke Cable Connections (Models 2130, 2135, 2160 And 2165 Shown).